



Virtual VBS Kid's Packet

(Older Kids)

June 2020



DAY 1

# FOCUS

TAKE A CLOSER LOOK

## Seeing God in Creation **Romans 1:20**

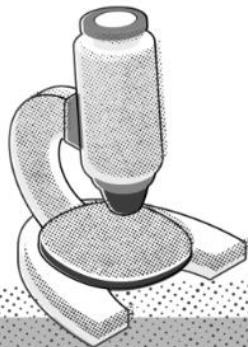
Read Romans 1:20.

Do you ever wonder what God looks like or why you can't see Him face to face? Wouldn't it be cool if you could sit down next to Him at lunch or kick a soccer ball with God? We cannot see God because He doesn't exist in a physical body that can break down or pass away like our human bodies do. But we can know God and understand what He is like through the things that He has made.

Grab a friend, some paper, and pens, and head outside. Set a timer for one minute and make a list of all the things you see that God has made. When the timer goes off, compare your lists.

Everything you've listed—everything in ALL creation—points to an amazing, powerful, and mighty God. He made all of this, and He made YOU! So if you ever find yourself wondering if He's really there, remember to FOCUS on what you can see.

Thank God for His amazing creation by naming some of the things on your list. Ask Him to help you FOCUS on what you can see as you trust in Him.

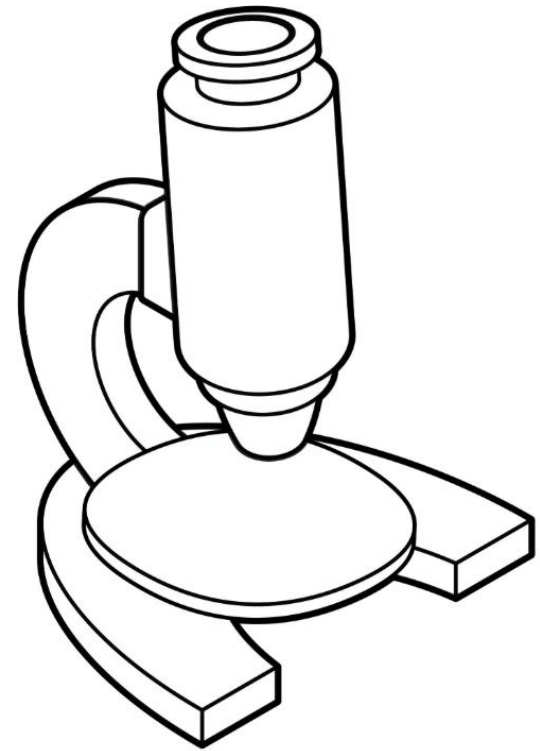
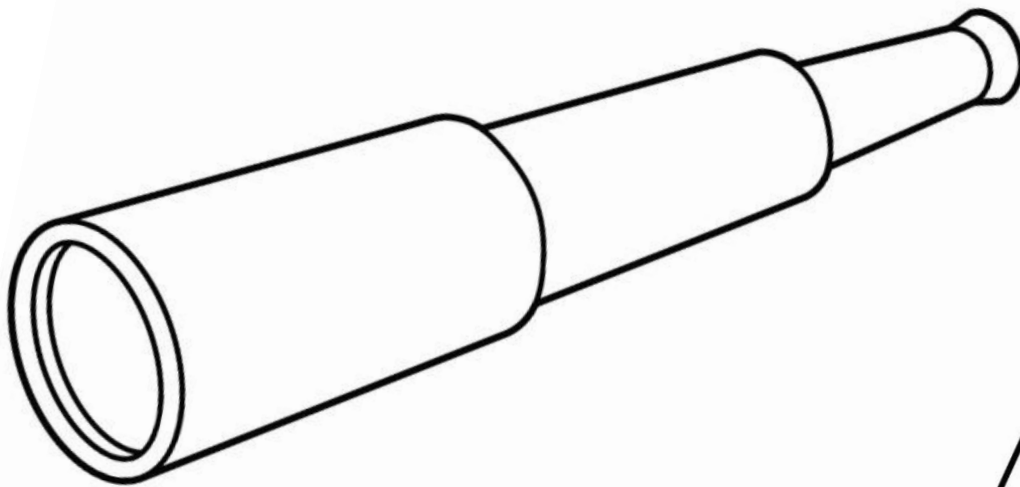
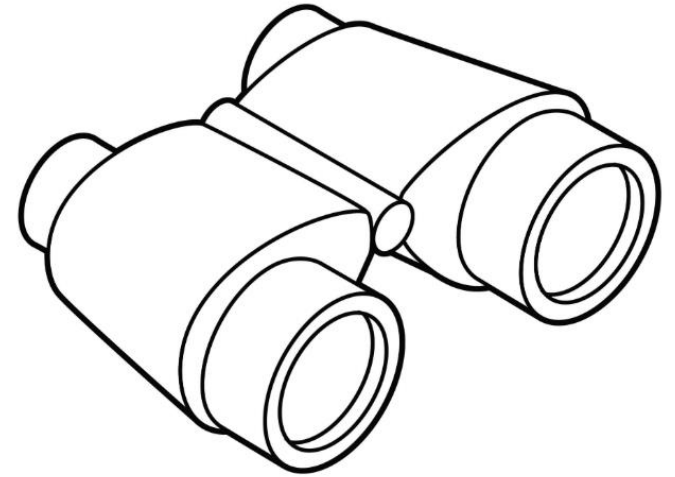


Today's bottom line is...

**What's your favorite thing God created?**  
Draw it, write it or grab Legos or Play-doh and build it.

# FOODIES

TAKE A CLOSER LOOK



Bonus coloring page do anytime.

# FOOLISH

TAKE A CLOSER LOOK

## The Wise and Foolish Builders Matthew 7:24-27

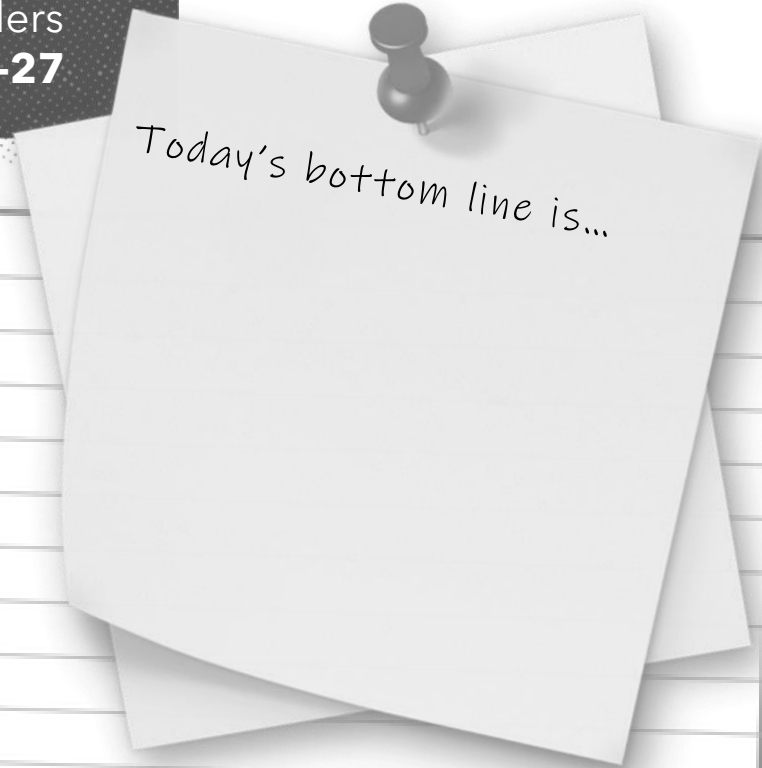
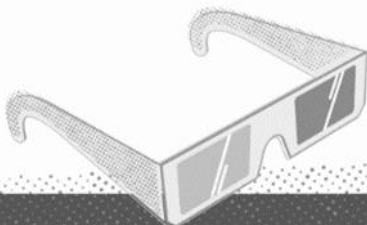
Read Matthew 7:24-25.

Have you ever tried to build a LEGO® or K'NEX® set without the instructions? Did it turn out looking exactly like the picture on the front of the box? Nope. You probably ended up with a box of extra pieces and a lot of frustration. When it comes to building with LEGOs or K'NEX, the instructions are pretty important.

Did you know that you have access to the ultimate instruction guide to life? God has given us His Word, the Bible, to show us how to live. But if we want to be wise, we have to read His Word and then DO

what it says. When you open your Bible, you have the opportunity to HEAR from God! Just like those LEGO instructions help you know what to do so that you can build a super cool creation, reading God's Word will help you know how to live so that you can be all that God created you to be.

Grab some LEGOs or another building toy and the instructions. As you build, thank God for giving you His Word. Ask Him to help you not only read it but also to do what it says so you can be wise.



Today's bottom line is...

Lined writing area with a vertical column of ten circles on the left side.

How do you know what God wants you to do?

Watch worship online together as a family. Remember the Fruits of the Spirit, Galatians 5:22-23, while you color this bonus activity page.



DAY 4

# FOCUS

TAKE A CLOSER LOOK

## Peter Says that Jesus is the Messiah Matthew 16:13-20

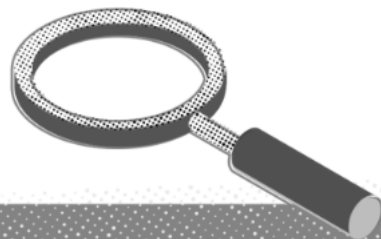
Read Hebrews 10:25.

Did you have fun at VBS today? What if you had been the **ONLY** one who showed up? That would be so weird, wouldn't it? What if you'd been the only one playing the super fun games or making the cool craft or singing in worship or discussing today's lesson with your leader?

Everyone knows that friends make things more **FUN!** But did you know that friends can also help you grow in your faith? It's true. When it comes to following

God, He knew that we would need each other. As you participate in small group each week, your faith will grow. You'll learn from the experience of others, you pray for each other and worship together. You can **TALK** to others about what you believe.

Can you name some friends who follow God? Do they encourage you and pray for you? As you pray today, thank God for those friends. If you can't think of anyone, ask God to help you talk to your parents about coming back to church so you can find a small group this week!

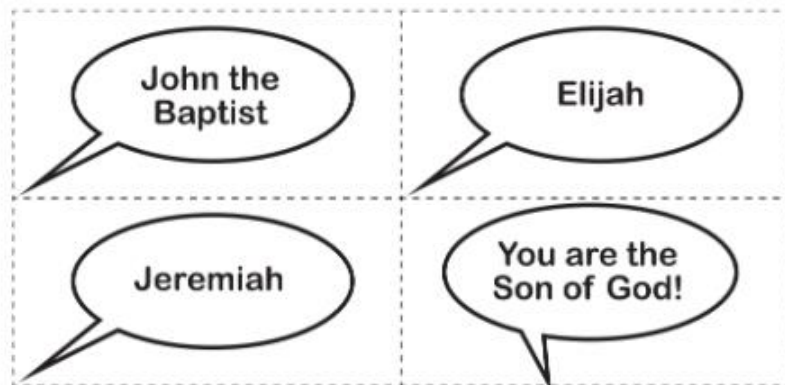


Today's bottom line is...

What is God doing in your life right now?



### Word Bank



### Day 3 Bonus Activity Who Do You Say I Am?

**What You Need:** Bible, scissors, glue, crayons

#### What You Do:

- Invite kids to read Matthew 16 :13-20
- Read the speech bubbles at the bottom of the page.
- Help kids fill in the speech bubbles in the right sequence using the word bank below.
- Color the comic strip as time allows.

#### What You Say:

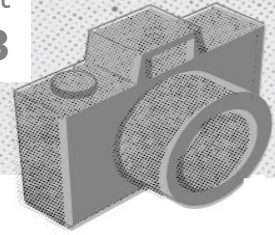
"Jesus asked His disciples the most important question anyone could ever ask! Do you remember what He asked? (Pause.) Yes! He asked them: *Who do you say I am?* (Matthew 15:16 NIV) What did Peter say? (Pause.) Yes! Peter said, 'You're God's Son!'"

"Some of you may know and believe that Jesus is the Savior and that He's God's Son, and some of you may have questions about Who He is. That's okay. No matter what you think about Jesus, you can talk with others about what you believe.

"So, this week, find someone who loves Jesus and talk to them about what you believe. Ask questions and talk about things you don't understand. Because the more you talk about God, the more it helps you understand Who He is and how much He loves you. So, remember: **[Bottom Line] you can TALK** (cup your hands around your mouth, guiding kids to do what you do) **with others about what you believe.**"



The Greatest Commandment  
**Matthew 22:36-401 Corinthians 13**



**READ 1 CORINTHIANS 13:4**

We use the word LOVE describe a lot of different things. We love pizza, video games, our favorite stuff, animal, and cookie dough ice cream. But there's a big difference between loving stuff and loving people. This week, we'll take a look at a chapter from the Bible that's all about love. As you read it, you'll discover that love isn't just a feeling; love is an action.

- 1. LOVE IS PATIENT AND KIND.** Even when you want your way and you want it right now, to love others well means you stop yourself before you say something unkind or push your way to the front.
- 2. LOVE DOES NOT WANT WHAT OTHERS HAVE.** It's hard to love someone when you're jealous of something they have or something they've accomplished.
- 3. LOVE DOES NOT BRAG; IT IS NOT PROUD.** Instead of saying "Look at me, I'm SUPER awesome!" love focuses on others and their awesomeness.

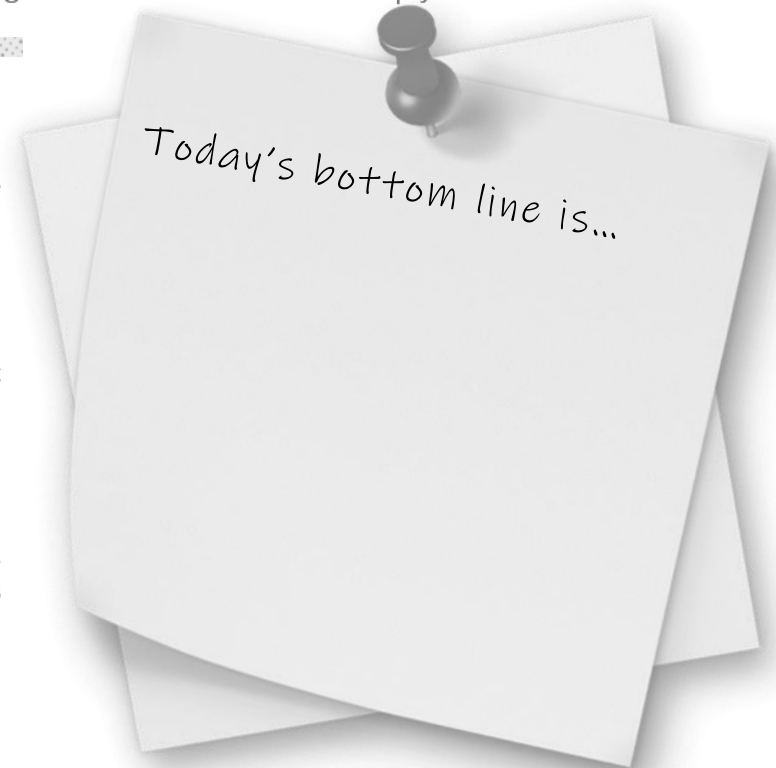
Grab a piece of paper and draw a large heart in the center. Write the phrases in red from the list above in the center of your heart. Write small. You'll be adding more phrases throughout the week. Ask God to help you live for Him by loving others this week.

**READ 1 CORINTHIANS 13:5**

Loving others isn't always easy. But God will help us do what He asks us to do. So let's keep going as we learn about LOVE this week.

- 1. LOVE DOES NOT DISHONOR OTHERS.** If a famous actor or athlete were to come over for dinner, how would you treat him or her? Love says we are to treat EVERYONE like that.
- 2. LOVE DOES NOT LOOK OUT FOR ITSELF.** When was the last time you asked someone else about his or her day before you started telling a story about yours?
- 3. LOVE DOES NOT EASILY BECOME ANGRY.** Have you yelled at your little brother lately? Have you pitched a fit about something you didn't like? Anger gets in the way of loving others, big time.
- 4. LOVE DOESN'T KEEP TRACK OF WRONGS.** When you're frustrated with your sister or friend, do you say things like, "He always \_\_\_\_\_," or, "She never \_\_\_\_\_"? It's not fair to bring up past mistakes when dealing with a current disagreement.

Grab your heart from yesterday and add the phrases in red to the front. Thank God for loving you, and ask Him to help you honor others, forgive, put others first, and calm down when you're frustrated so you can love others!



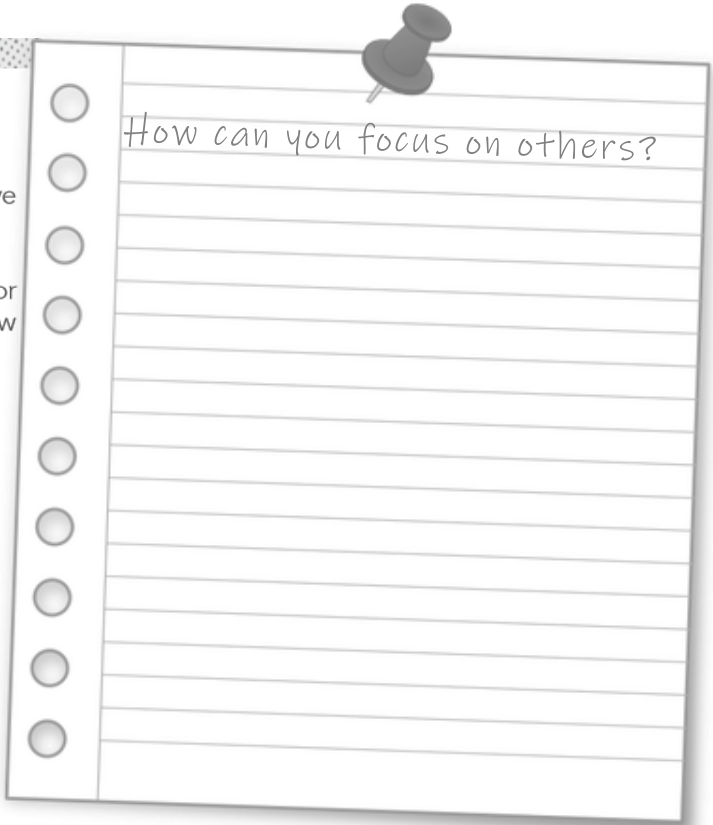
## READ 1 CORINTHIANS 13:6

We've been learning a lot about what love is and what it isn't this week. And we're not done yet. Let's dive into today's verse.

- 1. LOVE IS NOT HAPPY WITH EVIL OR INJUSTICE.** When you see someone getting picked on, or you see a wrong that needs to be made right, you should stand up and say so. And also let an adult know if you need help.
- 2. LOVE IS FULL OF JOY WHEN THE TRUTH IS SPOKEN.** Another version says love "rejoices whenever the truth wins out" (NLT). When you see something you know is wrong or unfair, you should let someone know in a way that doesn't make the situation worse.

This week, when you see something and you think, "That's not right," find a way to make it better. Simply listening to someone who was hurt or choosing to be kind when others aren't can go a long way. You may not be able to fix every wrong or unfair thing you see, but you can certainly be part of the solution to make it better.

Add the phrases in red above to your heart. Ask God to help you love others as you look for ways to make unfair situations better for those around you.



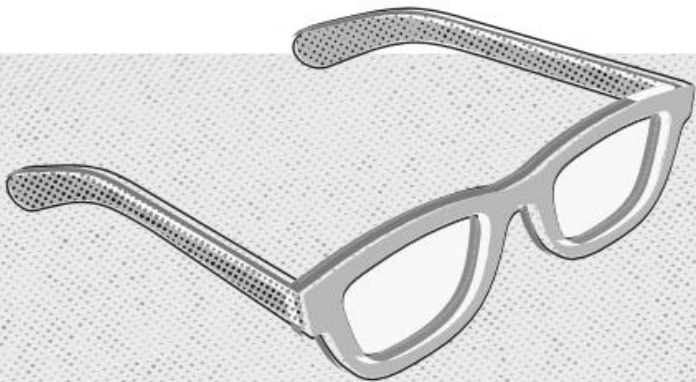
How can you focus on others?

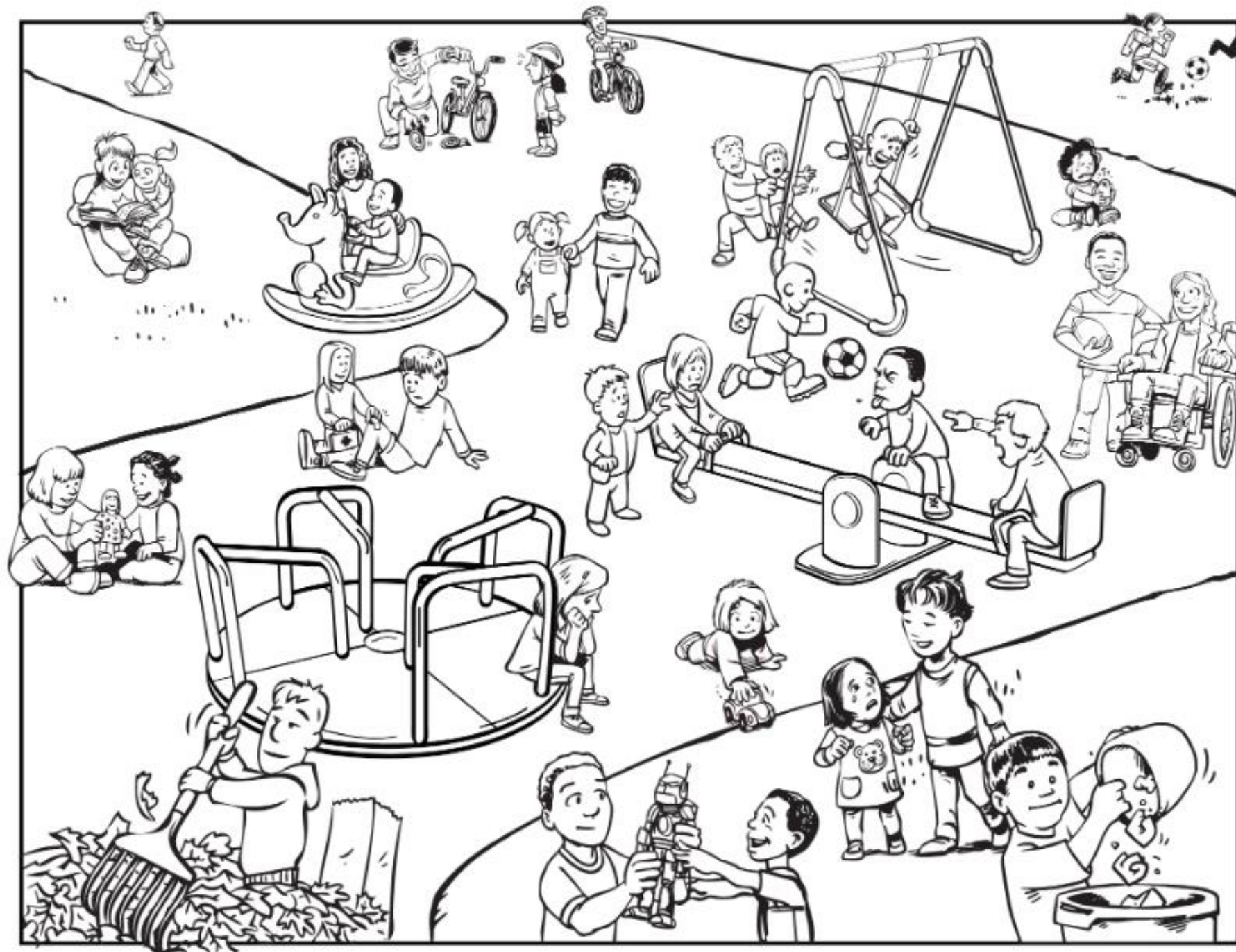
## READ 1 CORINTHIANS 13:7

When it comes to showing love, we've talked a lot about what you shouldn't do. Today let's talk about what you **SHOULD** do.

- 1. LOVE ALWAYS PROTECTS.** What does it mean to protect something? It means you're careful. You do everything you can to make sure nothing hurts the thing you're protecting—including you.
- 2. LOVE ALWAYS TRUSTS.** God will help you be someone others can rely on. Good friendships start with you. Be the kind of friend that others can put their confidence in.
- 3. LOVE ALWAYS HOPES AND IT NEVER GIVES UP.** Sometimes we need to keep on loving even when our little brothers drive us crazy. Instead of pointing out all the stuff that makes you mad, choose to believe the best about the other person.

Squeeze these last three phrases in red onto the front of your heart. If you need to flip it over and write on the back, that's okay, too. Read over all the phrases from this week. Which one is easiest for you? Which one is hardest? Put your finger on the hardest one and ask God to help you love others this way so that you can live for Him this week.





**Day 5 Bonus Activity:** Color the picture and then circle the people showing love to others.